

ISR Series Shock Absorber : Short Type

NEW

IZMAC Short Range Absorber

DESCRIPTION

ISR can be installed in a limited space and is suitable for industrial applications requiring high energy absorption. And it is a suitable compact industrial hydraulic product. Unlike general absorber series, it is designed with a unique structure and by way of fast braking time, shock, and noise reduction function, it provides optimum results of best productivity improvement.

FEATURES

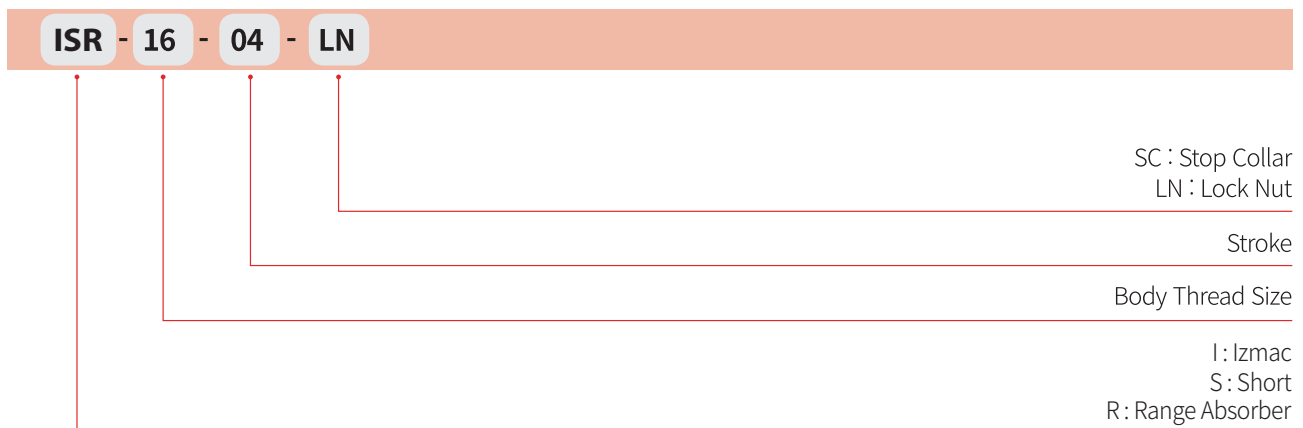
- 1 There are various models of different sizes from M16 to M32.
- 2 Specially, it has more than three times maximum energy performance compared to other existing products.
- 3 Improve noise reduction function and increase product durability
- 4 Thanks to the unique orifice structure, it enables smooth absorption characteristics to stop collision material softly.
- 5 Maximum impact speed : 0.05 ~ 3m/s
- 6 Piston rod : Hard Chrome : 25µm
- 7 Available to use without an external stopper.



APPLICATION

Automotive , Mechanical engineering, Electronics industries

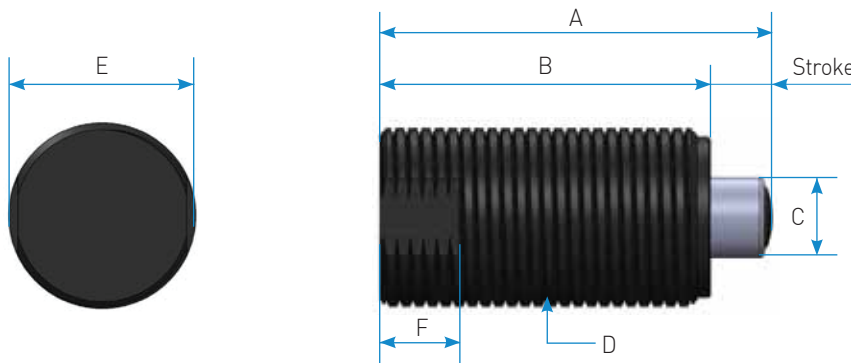
ISR SERIES ORDERING INFORMATION



ISR16 ~ 25 Series

Engineering Data

Model	Stroke (mm)	Max.Energy / Cycle(Nm) E _T	Max.Energy / Hour (Nm / h) E _{T-C}	Recoil Forec(N)		Weight (g)
				Ext.	Comp.	
ISR16 - 04	4	12	18,000	8	16	1.25
- 09	9	28	42,300	8	17	1.4
ISR20 - 07	7	40	64,600	11	18	65
- 12	12	70	110,700	12	18	75
ISR25 - 08	8	70	108,900	15	20	105
- 15	15	130	204,000	16	21	115



Dimensions

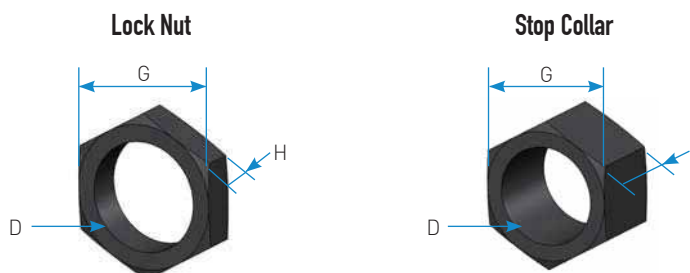
(unit : mm)

Model	Stroke	A	B	C	D	E	F
ISR16 - 04	4	31	27	6	M16 X 1.5P	14	7
- 09	9	49	41	6	M16 X 1.5P	14	7
ISR20 - 07	7	44.5	37.5	9	M20 X 1.5P	18	9
- 12	12	63.5	51.5	9	M20 X 1.5P	18	9
ISR25 - 08	8	52	44	12	M25 X 1.5P	23	10
- 15	15	78	63	12	M25 X 1.5P	23	10

Accessories

- Two Lock Nuts included for each absorber
 - Other accessories to be ordered separately
- (unit : mm)

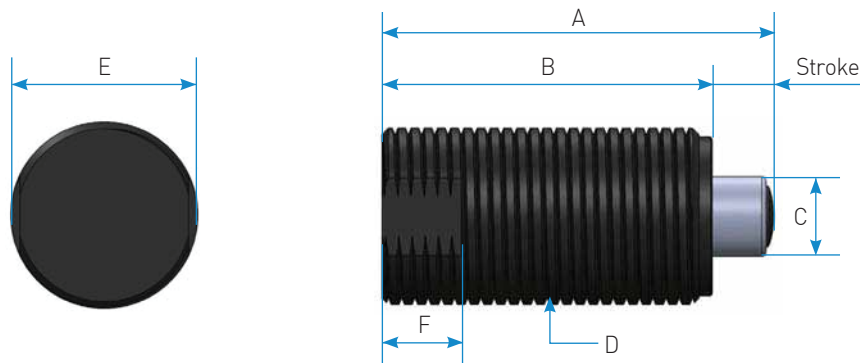
Model	G	H	I
ISR16 - 04	19	6	12
ISR20 - 07	24	6	16
ISR25 - 08	32	8	18





Engineering Data

Model	Stroke (mm)	Max.Energy / Cycle(Nm) E _T	Max.Energy / Hour (Nm / h) E _{T-C}	Recoil Forec(N)		Weight (g)
				Ext.	Comp.	
ISR30 - 09	9	120	186,000	17	30	200
- 15	15	200	311,000	17	31	210
ISR32 - 13	13	210	323,000	17	30	270
- 20	20	330	498,000	17	31	280



Dimensions

(unit : mm)

Model	Stroke	A	B	C	D	E	F
ISR30 - 09	9	61.5	52.5	16	M30 X 1.5P	28	12
- 15	15	88.5	73.5	16	M30 X 1.5P	28	12
ISR32 - 13	13	76	63	18	M32 X 1.5P	30	13
- 20	20	105	85	18	M32 X 1.5P	30	13

Accessories

- Two Lock Nuts included for each absorber
- Other accessories to be ordered separately

(unit : mm)

Model	G	H	I
ISR30 - 09	36	8	20
ISR32 - 13	44	8	25

